



solaico

paneles solares fotovoltaicos



HIGH EFFICIENCY
MODULES



EASY INSTALLATION



MANUFACTURER
WARRANTY



PANEL PERFORMANCE
WARRANTY

24 V - SL 606 250/255/260/265/275 WP

Solaico photovoltaic modules are manufactured with high quality materials, certified and manufactured in Europe. Solaico has internal laboratories to verify the quality of the materials, and certifies its products to be operative in all the international markets.

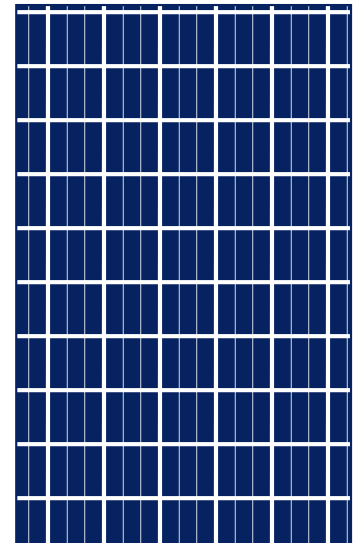
Features:

- High efficiency modules.
- Ease of installation.
- 12-year warranty manufacturing product defect.
- 25-year panel performance warranty.

Packaging:

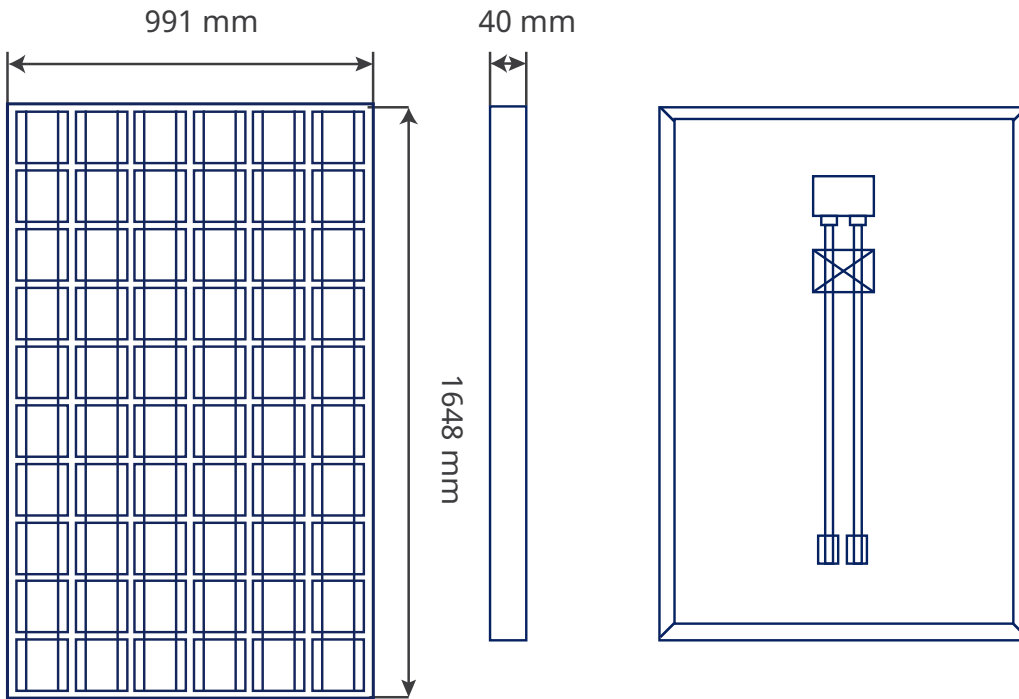
- Units/palet – 26 u
- Units/container 40' 28
- Units/container 728 U

*Indicative data subject to change depending on the measurements of the glass.



Data sheet

Maximum system voltage	1000 Vdc
Maximum series fuse rating	15 a
Reverse current limitations	15 a
Operating temperature range	-40°C / +85 °C
Coefficient temperature Pmax	-0,42% / °C
Coefficient temperature Voc	-0,32% / °C
Coefficient temperature Isc	0'05 % / °C
Solar cable	4mm2
Connectors	MC4 or compatibles



Characteristics	250 WP	260 WP	265 WP	275 WP
Maximum power (P _{MAX})	250 WP	260 WP	265WP	275WP
Maximum Power Voltage (V _{MP})	30,50 V	31,23 V	31,00 V	31,12 V
Maximum Power (I _{MP})	8,53 A	8,34 A	8,55 A	8,55 A
Open circuit voltage (V _{OC})	37,5 V	38,12 V	38,3 V	38,45 V
Short circuit current (I _{SC})	9,55 A	8,91 A	9,26 A	9,52 A
Panel Efficiency	16,5 %	16,5 %	16,5 %	16,5 %
Panel Weight	22 Kg	22 Kg	22 kg	22 kg

Notes:



HIGH EFFICIENCY
MODULES



EASY INSTALLATION



PANEL PERFORMANCE
WARRANTY



MANUFACTURER
WARRANTY